

**Explosion Proof
Hermetically Sealed
(NEMA 4X, 7, 9 and 13)**

DESCRIPTION

Compact, adjustable pressure switch for high pressure hydraulic process applications. Using our Nega-Rate® Belleville disc spring, we offer superior set point stability and vibration resistance.

Operating Pressure Data

Adjustable Range Number	Adjustable Set Point Range		Deadband (approximate)	Maximum Recommended System Pressure	Proof Pressure
	Increasing	Decreasing			
3	*	250 to 710	90	4000	5000
4	*	600 to 1050	140	4000	5000
5	*	700 to 2700	300	6000	8000
6	*	2400 to 4400	450	6000	8000
7	*	4100 to 6500	500	8000	10000

All values given in psig unless otherwise noted.

* Add selected deadband to decreasing pressure range.

Standard Specifications

Electrical

Snap action electrical switch listed by Underwriters Laboratories, Inc. and CSA

Electrical Connection

½" - 14 NPT male conduit connection

Pressure Connection

¼" - 18 NPT Female and
½" - 14 NPT Male

Temperature Range*

Ambient: -40°F to +180°F
(-40°C to +82°C)

Media: -40°F to +300°F
(-40°C to +149°C)

* Temperature limits change with O-Ring selection

Adjustment

Internal, slotted adjustment nut

Shipping Weight

Approximately 20 ounces

Ordering Sequence — Select desired option for each category

OPTIONS

Wetted Material

- 1 Aluminum port and piston, teflon seal, and Nitrile O-Ring
- 4 316 cress port and piston, teflon seal, and Nitrile O-Ring

Adjustable Range

- 3 250 psig dec. to 800 psig inc. (17.3 bar dec. to 55.1 bar inc.)
- 4 600 psig dec. to 1190 psig inc. (41.4 bar dec. to 82.0 bar inc.)
- 5 700 psig dec. to 3000 psig inc. (48.3 bar dec. to 206 bar inc.)
- 6 2400 psig dec. to 4850 psig inc. (166 bar dec. to 334 bar inc.)
- 7 4100 psig dec. to 7000 psig inc. (283 bar dec. to 482 bar inc.)

Electrical Form

- C 11 amps ¼ hp 125 or 250 VAC; 5 amps resistive, 3 amps inductive 28 VDC; .5 amps resistive 125 VDC
- CC 11 amps ¼ hp 125 or 250 VAC; 5 amps resistive, 3 amps inductive 28 VDC; .5 amps resistive 125 VDC

Enclosure

- 6 Explosion proof • factory sealed • hermetically sealed electrical assembly P/N 057-0030 (C Form); P/N 057-0057 (CC Form). **Underwriters' Laboratories, Inc.** listed (file #E56677) or **Canadian Standards Association** certified (file #34146) for Division 1 and 2; Class I, Groups A, B, C and D; Class II, Groups E, F and G hazardous locations (NEMA 7 and 9)

Miscellaneous

- A Epoxy paint exterior — extra protection for severe environments
- B Viton O-Ring
- C EPR O-Ring
- D SAA Approval
- H Stainless steel body
- I ¾" Conduit box with terminal strip
- J Annealed stainless steel port screws for H₂S environments — Consult factory for reduced system and proof pressure ratings
- M Gold electrical contacts for extremely low current applications
- N CENELEC approval
- R 72" Electrical free leads
- Z Mounting bracket kit

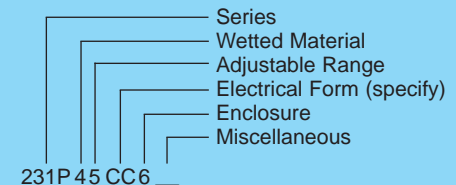
Special (Consult representative or factory)

- Non-catalog adjustable range and/or set point, deadband and proof pressure

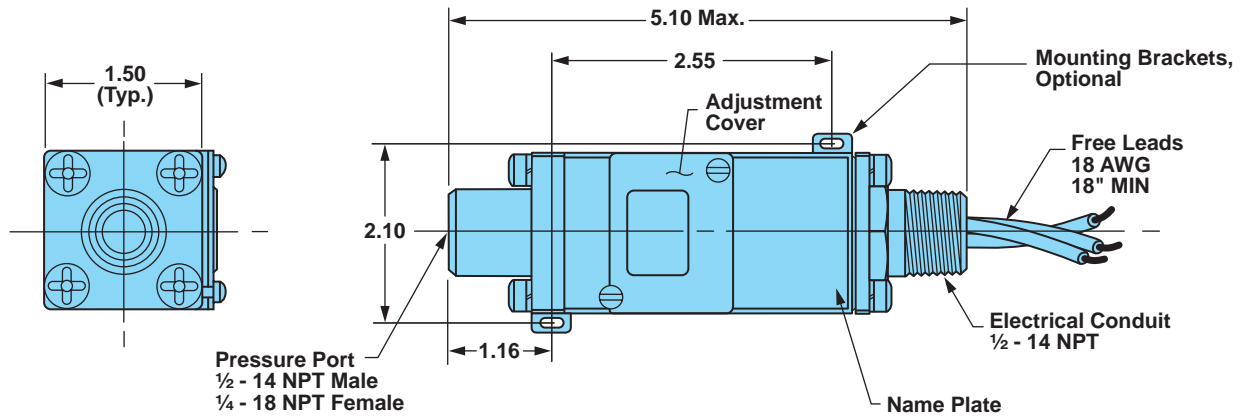
Ordering Procedure

- When factory presetting is desired, stipulate set point, increasing or decreasing
- Insert available option number or letter designation as required

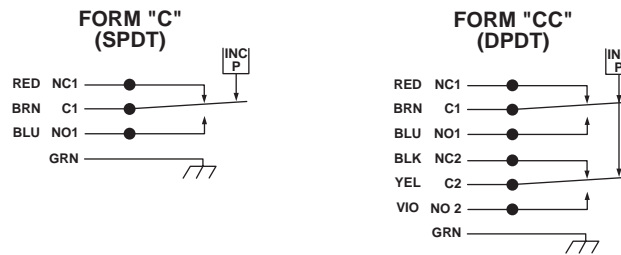
Example



Envelope Dimensions



Electrical Form



Basic Principles of Design

